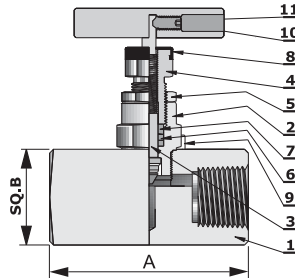


BAR STOCK SCREWED BONNET NEEDLE VALVES
(6000 psig/414 barg) -
PRODUCT CODE : CSNVS



Features

- Bar stock needle valve Design with back seated blowout proof.
- Hard seat - with non-rotating stem tip , - with rotating stem tip regulating & Soft seat .
- Dust Cap on bonnet pusher protects stem threads from external contamination.
- Packing and sealing are leak tight for easy operation.
- Low torque operating T bar handle.
- Externally adjustable gland
- Bonnet lock pin fitted as standard for 6000 psig and for high pressure lock plate as per the design required.

Specifications

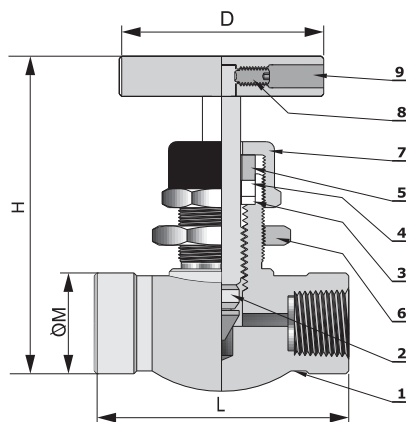
- Size - 1/8" to 1-1/2"
- End connection - NPT, BSPT, Socket weld, Butt weld, Tube fitting.
- With straight and angle pattern
- Working Pressure - 6000Psig
- Temperature Rating - PTFE 450°F, (232°C) / Grafoil 700°F (371°C)
- Material - SS 316, SS 304, C.S., F11, Hastelloy, Monel, Inconel, Valve can be supplied to meet the current revision of NACE MR-01-75 (Sour Gas service).
- Packing - PTFE, Grafoil
- Panel mounting on request.
- All valves are 100% factory tested at 1000psig.
- Lubrication - Dye molly sulphide.

Valve Size		COMFIT PRODUCT CODE	Orifice	Sq. B	A
Inlet	Outlet				
1/8" NPT(M)	1/8" NPT(M)	2NM-CSNVS	3.0	25	62
1/8" NPT(F)	1/8" NPT(F)	2NF-CSNVS	3.0	25	44
1/8" NPT(M)	1/8" NPT(F)	2NM-CSNVS-2NF	3.0	25	53
1/8" NPT(F)	1/8" NPT(M)	2NF-CSNVS-2NM	3.0	25	53
1/4" NPT(M)	1/4" NPT(M)	4NM-CSNVS	3.0	25	71
1/4" NPT(F)	1/4" NPT(F)	4NF-CSNVS	3.0	25	53
1/4" NPT(M)	1/4" NPT(F)	4NM-CSNVS-4NF	3.0	25	62
1/4" NPT(F)	1/4" NPT(M)	4NF-CSNVS-4NM	3.0	25	62
3/8" NPT(M)	3/8" NPT(M)	6NM-CSNVS	3.0	25	71
3/8" NPT(F)	3/8" NPT(F)	6NF-CSNVS	3.0	25	53
3/8" NPT(M)	3/8" NPT(F)	6NM-CSNVS-6NF	3.0	25	62
3/8" NPT(F)	3/8" NPT(M)	6NF-CSNVS-6NM	3.0	25	62
1/2" NPT(M)	1/2" NPT(M)	8NM-CSNVS	4.0	28	80
1/2" NPT(F)	1/2" NPT(F)	8NF-CSNVS	4.0	28	62
1/2" NPT(M)	1/2" NPT(F)	8NM-CSNVS-8NF	4.0	28	71
1/2" NPT(F)	1/2" NPT(M)	8NF-CSNVS-8NM	4.0	28	71
3/4" NPT(M)	3/4" NPT(M)	12NM-CSNVS	4.0	35	91
3/4" NPT(F)	3/4" NPT(F)	12NF-CSNVS	4.0	35	64
3/4" NPT(M)	3/4" NPT(F)	12NM-CSNVS-12NF	4.0	35	78
3/4" NPT(F)	3/4" NPT(M)	12NF-CSNVS-12NM	4.0	35	78
1" NPT(M)	1" NPT(M)	16NM-CSNVS	4.0	42	118
1" NPT(F)	1" NPT(F)	16NF-CSNVS	4.0	42	82
1" NPT(M)	1" NPT(F)	16NM-CSNVS-16NF	4.0	42	100
1" NPT(F)	1" NPT(M)	16NF-CSNVS-16NM	4.0	42	100

Sr. No.	Description	Qty.	Material
1	Body	1	SS 316
2	Bonnet	1	SS 316
3	Stem (non-rotating tip)	1	SS 316
4	Bonnet Pusher	1	SS 316
5	Check Nut	1	SS 316
6	Packing	2	PTFE/ Grafoil
7	Washer	1	SS 316
8	Dust Cap	1	Plastic
9	Stopper Pin	1	SS 316
10	Grub Screw	1	SS
11	Handle	1	SS 304

INTEGRAL BONNET NEEDLE VALVES

Forged - Straight Pattern (6000 psig / 414 barg) -
PRODUCT RANGE : CINVF



Sr. No.	Description	Material	
1	Body	SS 316/ASTM A 182	CS/ASTM A 105
2	Stem (non-rotating tip)	SS 316/ASTM A 182	SS 316/ASTM A 105
3	Washer	SS 316/ASTM A 182	SS 316/ASTM A 105
4	Packing	PTFE	PTFE
5	Gland	SS 316/ASTM A 182	CS/ASTM A 105
6	Panel nut	SS 316/ASTM A 182	CS/ASTM A 105
7	Gland nut	SS 316/ASTM A 182	CS/ASTM A 105
8	Grub Screw	SS	SS
9	Handle	SS 316/ASTM A 182	SS 316/ASTM A 276

Valve Size		COMFIT PRODUCT RANGE	Orifice	Ø M	L	H1	D
Inlet	Outlet						
1/8" NPT(F)	1/8" NPT(F)	2NF-CINVF	3.0	20	48	63	50
¼" NPT(F)	¼" NPT(F)	4NF-CINVF	3.0	26	54	78	50
3/8" NPT(F)	3/8" NPT(F)	6NF-CINVF	4.0	32	54	85	50
½" NPT(F)	½" NPT(F)	8NF-CINVF	4.0	32	60	85	60
¾" NPT(F)	¾" NPT(F)	12NF-CINVF	4.0	38	68	90	60
1" NPT(F)	1" NPT(F)	16NF-CINVF	4.0	44	70	96	60

DIMENSIONS FOR REFERENCE ONLY, SUBJECT TO CHANGE.